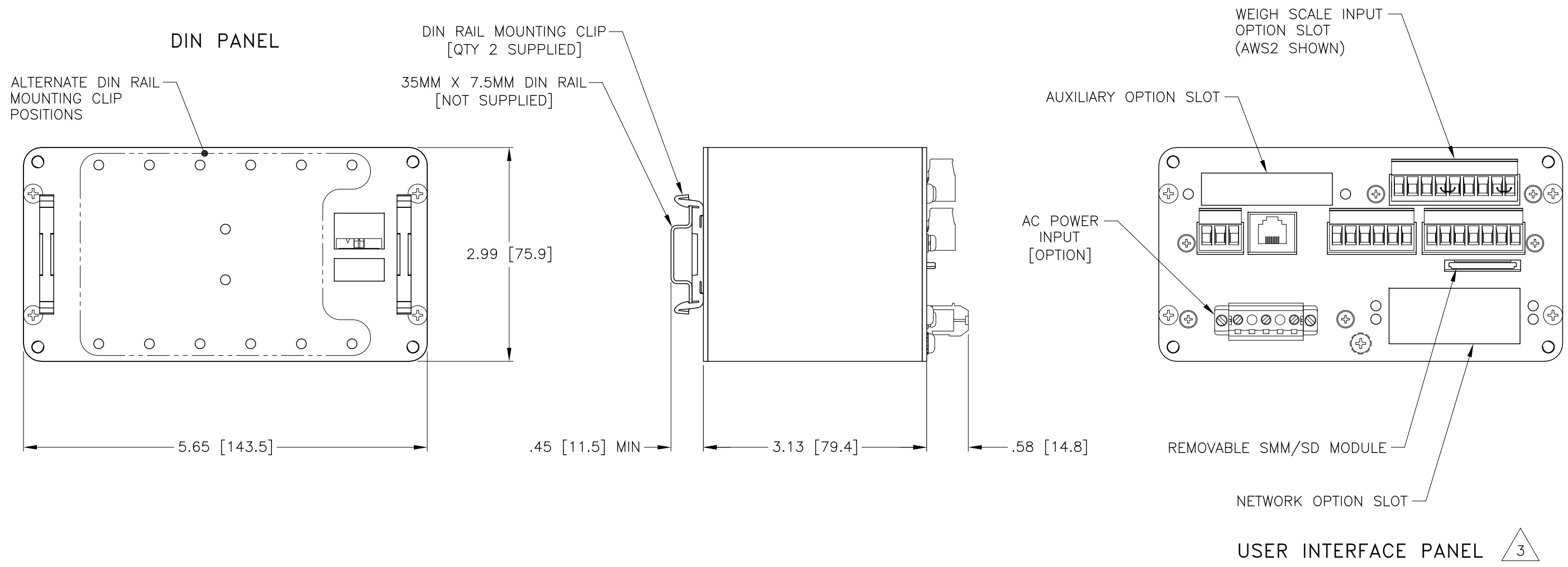


REV.	ECO/DDC	DESCRIPTION	DATE	DRAFT	CHECK	APV'D
A	----	RELEASED.	03-14-12	V.J.C.	C.B.	T.N.
B	11139	REVISED PER ECN.	08-23-13	V.J.C.	L.E.G.	V.J.C.
C	11996	REVISED PER ECN.	01-21-20	V.J.C.	J.I.	V.J.C.
C2	----	DDC; REMOVED WEIGHT INPUT OPTION "DWS4".	01-04-22	V.J.C.	T.M.	V.J.C.

### HI 4050CW CHECK WEIGHER MAIN UNIT



DIMENSIONS = IN [MM]

- 3 ANALOG WEIGH SCALE INPUT USER INTERFACE PANEL SHOWN ONLY. SEE SHEETS 3 THROUGH 6 FOR USER INTERFACE PANEL CONNECTIONS.
- 2. SEE SHEET 2 FOR FRONT PANEL DISPLAY DIMENSIONS.
- 1. SEE CD RESOURCE GUIDE FOR ADDITIONAL MOUNTING AND WIRING INFORMATION.

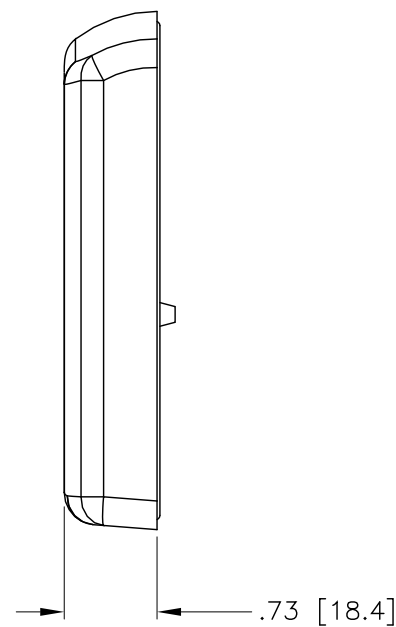
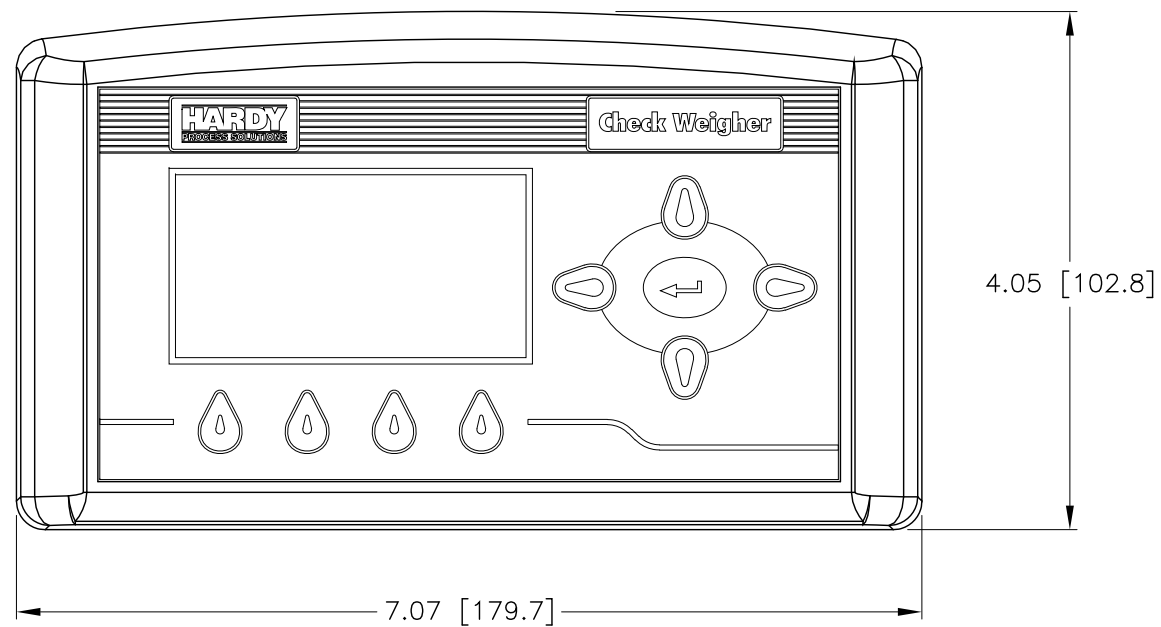
**NOTES: UNLESS OTHERWISE SPECIFIED**

PROPRIETARY NOTICE  
ALL DATA AND INFORMATION CONTAINED IN OR DISCLOSED BY THIS DOCUMENT IS CONFIDENTIAL AND PROPRIETARY INFORMATION OF HARDY PROCESS SOLUTIONS INC. AND ALL RIGHTS THEREIN ARE EXPRESSLY RESERVED. BY ACCEPTING THIS MATERIAL THE RECIPIENT AGREES THAT THIS MATERIAL AND THE INFORMATION CONTAINED THEREIN IS HELD IN CONFIDENCE AND IN TRUST AND SHALL NOT BE USED, COPIED, REPRODUCED IN WHOLE OR IN PART, NOR ITS CONTENTS REVEALED IN ANY MANNER TO OTHERS, EXCEPT TO MEET THE SPECIFIC PURPOSE FOR WHICH IT WAS DELIVERED.

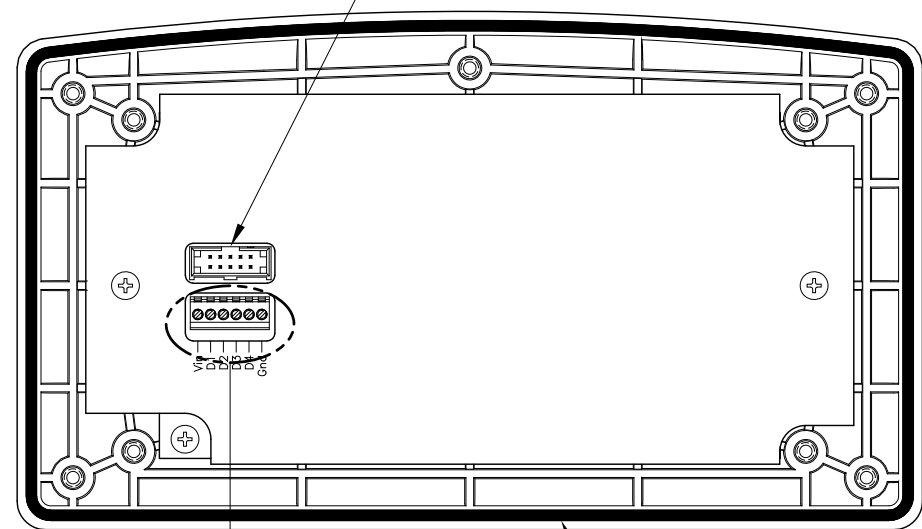
ITEM	QTY	PART NUMBER	DESCRIPTION	COMMENTS
0584-0075 I/I DIAGRAM, HI 4050CW CHECK WEIGHER SEE NOTES				
PARTS LIST				
UNLESS OTHERWISE SPECIFIED DIMENSIONS ARE IN INCHES TOLERANCES ARE: FRACTIONS: N/A DECIMALS: .XX = ±.03 .XXX = ±.010 ANGLES: ±0°, 30°			CONTRACT NO.	
MATERIAL			APPROVALS	
FINISH			DRAWN V. CHULA DATE 03-12-12	
DO NOT SCALE DRAWING			CHECKED C. BABB DATE 03-14-12	
			APPROVED T. NORMAN DATE 03-14-12	
			ISSUED V. CHULA DATE 03-14-12	
			PRODUCTION DATE	
TITLE		I/I DIAGRAM, HI 4050CW CHECK WEIGHER		
SIZE	FSCM	DRAWING NO.		REV.
D	21316	0584-0075		C
FILE NAME: 584075C2.DWG		SCALE: NONE		SHEET 1 OF 6

# HI 4050CW CHECK WEIGHER FRONT PANEL DISPLAY

FRONT

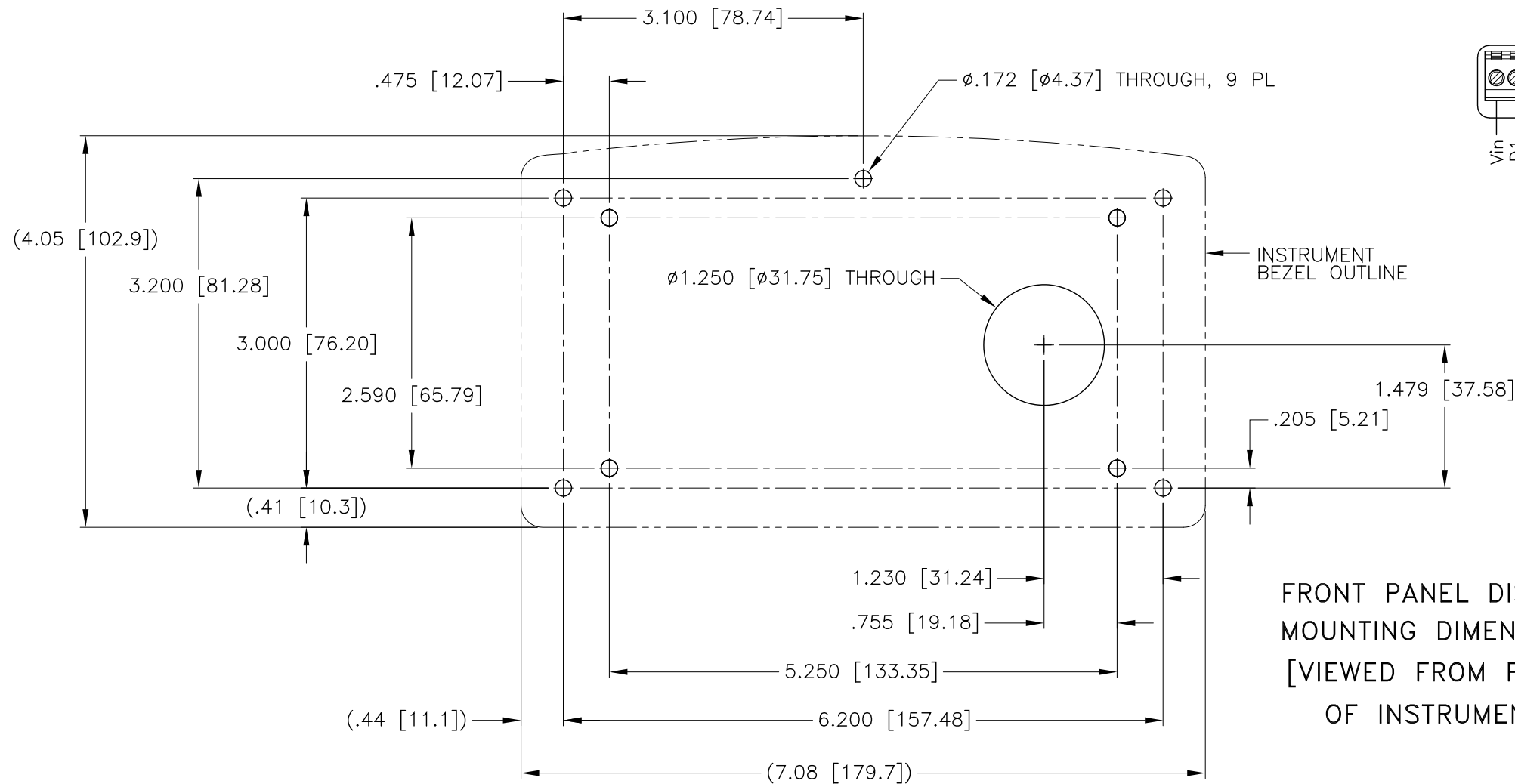


PANEL MOUNT RIBBON CABLE  
INTERFACE CONNECTOR

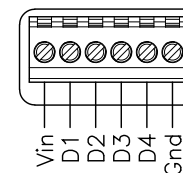


REAR

FRONT PANEL SEALING GASKET



FRONT PANEL DISPLAY  
MOUNTING DIMENSIONS  
[VIEWED FROM FRONT  
OF INSTRUMENT]



## FRONT PANEL DISPLAY TERMINAL BLOCK

NOTES:

1. SEE USER'S GUIDE FOR ADDITIONAL INFORMATION ON REMOTE DISPLAY TERMINATIONS.
2. WIRE SIZE: 20 AWG MAXIMUM / 26 AWG MINIMUM. WIRE TIGHTENING TORQUE: 2 LB-IN MINIMUM / 4 LB-IN MAXIMUM.
3. MAXIMUM CABLE LENGTH: 100 FEET [30.48 METERS]
4. SEE SHEET 3 FOR REMOTE DISPLAY WIRE TERMINATIONS TO THE HI 4050CW CHECK WEIGHER MAIN UNIT.

DIMENSIONS = IN [MM]

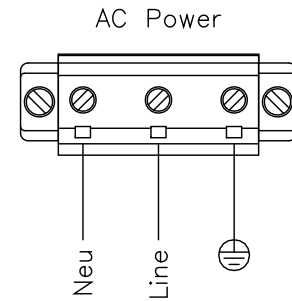
<b>HARDY</b> PROCESS SOLUTIONS			
TITLE I/I DIAGRAM, HI 4050CW CHECK WEIGHER			
SIZE	FSCM	DRAWING NO.	REV.
D	21316	0584-0075	C
FILE NAME: 584075C2.DWG		SCALE: NONE	SHEET 2 OF 6

## POWER INPUT TERMINATIONS

### OPTION CODE AC

NOTES:

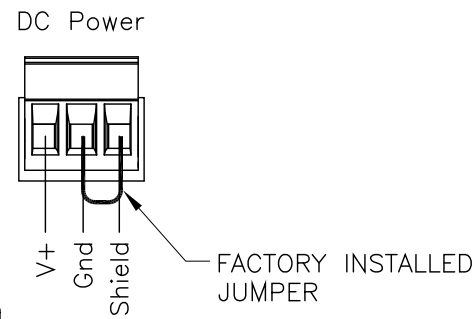
1. INPUT VOLTAGE: 120/240 VAC, 50/60 Hz, 0.5 AMP, 10 WATT.
2. OPTION AC OPERATING TEMPERATURE: -10°C TO + 40°C.
3. WIRE SIZE: 14 AWG MAXIMUM / 18 AWG MINIMUM.  
WIRE TIGHTENING TORQUE: 2 LB-IN MINIMUM / 4 LB-IN MAXIMUM.



### OPTION CODE DC

NOTES:

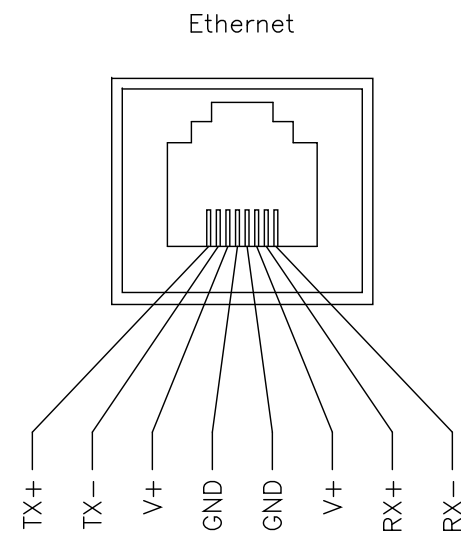
1. INPUT VOLTAGE: 24 VDC, 0.42 AMP, 10 WATT.
2. OPTION DC OPERATING TEMPERATURE: -10°C TO + 60°C.
3. WIRE SIZE: 12 AWG MAXIMUM / 22 AWG MINIMUM.  
WIRE TIGHTENING TORQUE: 2 LB-IN MINIMUM / 4 LB-IN MAXIMUM.



### ETHERNET TERMINATION

NOTES:

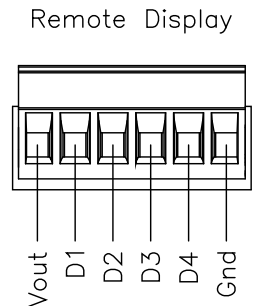
1. SEE USER'S GUIDE FOR ADDITIONAL INFORMATION ON ETHERNET TERMINATIONS.
2. CONNECTOR TYPE: RJ-45, 8 PIN
3. N.C. = NOT CONNECTED.



## REMOTE DISPLAY TERMINATIONS

NOTES:

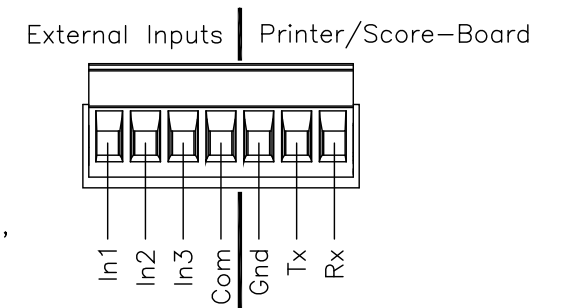
1. SEE USER'S GUIDE FOR ADDITIONAL INFORMATION ON REMOTE DISPLAY TERMINATIONS.
2. WIRE SIZE: 20 AWG MAXIMUM / 26 AWG MINIMUM.  
WIRE TIGHTENING TORQUE: 2 LB-IN MINIMUM / 4 LB-IN MAXIMUM.
3. SEE SHEET 2 FOR FRONT PANEL DISPLAY WIRE TERMINATIONS.
4. MAXIMUM CABLE LENGTH: 100 FEET [30.48 METERS]



## EXTERNAL INPUT & PRINTER/SCOREBOARD TERMINATIONS

NOTES:

1. SEE USER'S GUIDE FOR ADDITIONAL INFORMATION ON EXTERNAL INPUT AND PRINTER/SCOREBOARD TERMINATIONS.
2. EXTERNAL INPUTS ARE NON-ISOLATED, ACTIVE LOW AND REFERENCED TO COMMON [COM].
3. DO NOT BUNDLE ANALOG INPUT WIRING WITH POWER WIRING, RELAY CABLE OR ANY OTHER HIGH ENERGY CABLES.
4. EXTERNAL INPUTS CAN BE CONFIGURED IN THE MAPPING SECTION OF THE INSTRUMENT'S WEB PAGE.  
FACTORY DEFAULT EXTERNAL INPUT MAPPINGS: NONE
5. PRINTER/SCORE-BOARD TRANSMIT DATA [Tx] AND RECEIVE DATA [Rx] USE RS-232 SERIAL INTERFACE COMMUNICATION PROTOCOL.
6. WIRE SIZE: 12 AWG MAXIMUM / 22 AWG MINIMUM.  
WIRE TIGHTENING TORQUE: 2 LB-IN MINIMUM / 4 LB-IN MAXIMUM.

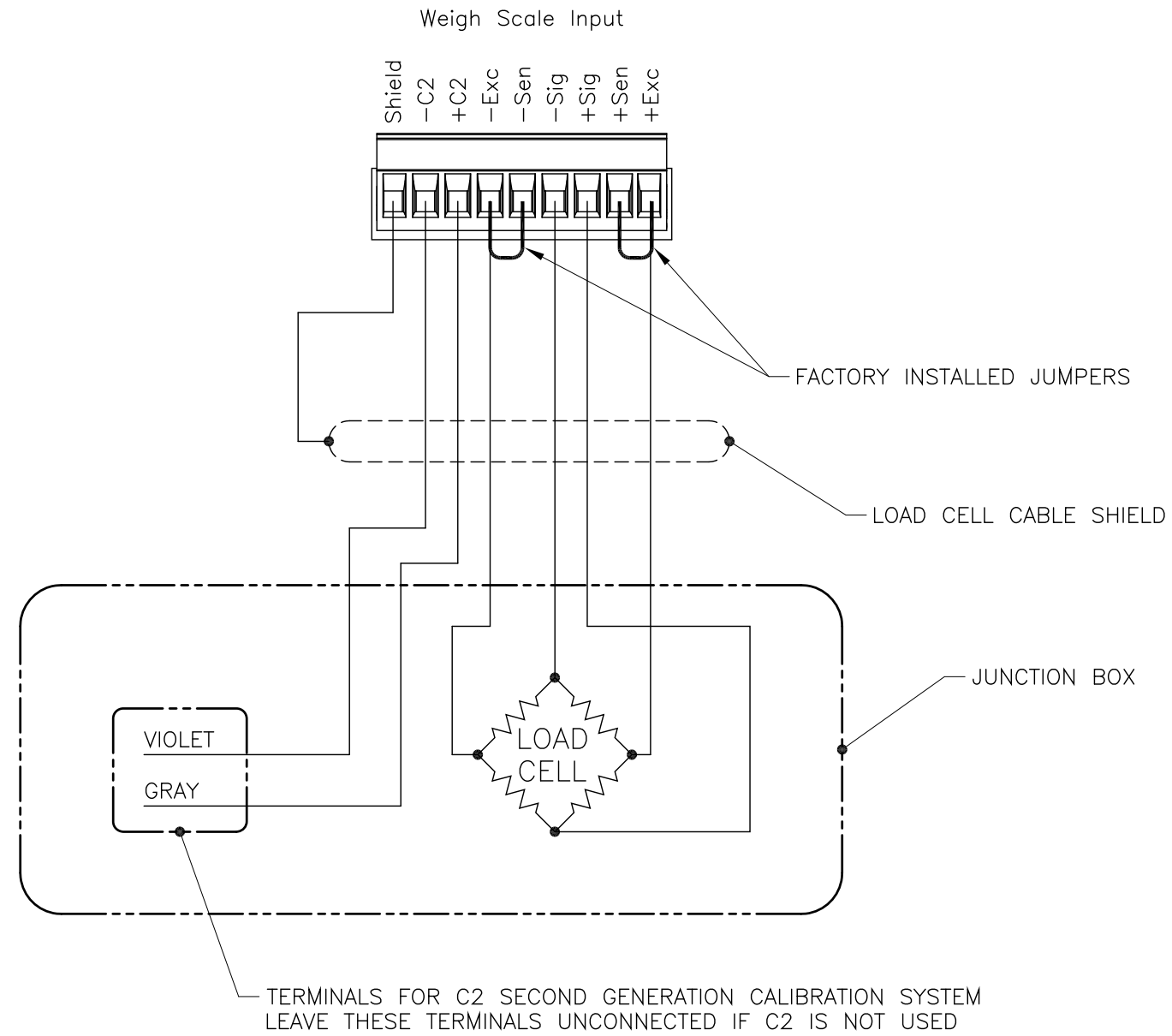


<b>HARDY</b> PROCESS SOLUTIONS			
TITLE I/I DIAGRAM, HI 4050CW CHECK WEIGHER			
SIZE	FSCM	DRAWING NO.	REV.
D	21316	0584-0075	C
FILE NAME: 584075C2.DWG		SCALE: NONE	SHEET 3 OF 6

## WEIGH SCALE INPUT TERMINATIONS

### NOTES:

1. DO NOT RUN LOAD CELL CABLE PARALLEL TO, OR IN THE SAME CONDUIT WITH POWER WIRING, RELAY CABLE OR OTHER HIGH ENERGY CABLES.
2. FACTORY INSTALLED JUMPERS TO REMAIN IN PLACE FOR FOUR WIRE LOAD CELL CONNECTION. JUMPERS TO BE REMOVED FOR SIX WIRE OR EIGHT WIRE [C2] LOAD CELL CONNECTIONS. EXCITATION AND SENSE WIRES TO BE CONNECTED TOGETHER IN JUNCTION BOX.
3. REQUIRED LOAD CELL CABLE FOR C2 SECOND GENERATION CALIBRATION SYSTEM: HARDY INSTRUMENTS PART NUMBER 6020-0001.
4. OPTION AWS2 IS LOCATED IN THE WEIGH SCALE INPUT OPTION SLOT, WHEN ORDERED.
5. SEE USER'S GUIDE FOR ADDITIONAL INFORMATION ON ANALOG WEIGH SCALE INPUT CONNECTIONS.
6. C2 WIRE PAIR MUST BE CONNECTED WHEN USING THE HARDY INTEGRATED TECHNICIAN SUMMING CARDS.
7. WIRE SIZE: 12 AWG MAXIMUM / 22 AWG MINIMUM.  
WIRE TIGHTENING TORQUE: 2 LB-IN MINIMUM / 4 LB-IN MAXIMUM.

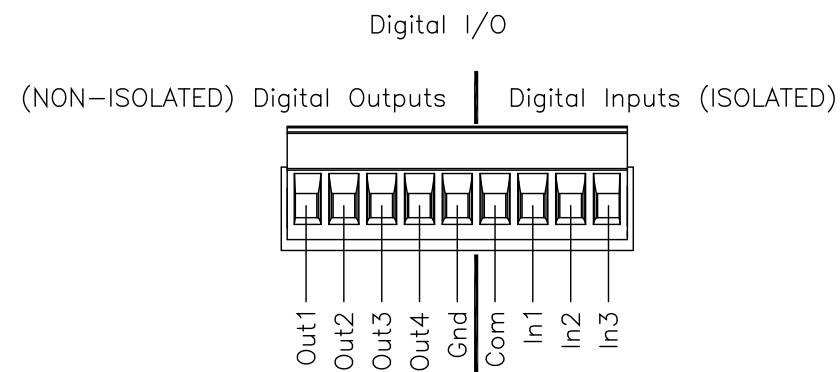


<b>HARDY</b> PROCESS SOLUTIONS			
TITLE I/I DIAGRAM, HI 4050CW CHECK WEIGHER			
SIZE	FSCM	DRAWING NO.	REV.
D	21316	0584-0075	C
FILE NAME: 584075C2.DWG		SCALE: NONE	SHEET 4 OF 6

## OPTION CODE DIO – DIGITAL I/O

### NOTES:

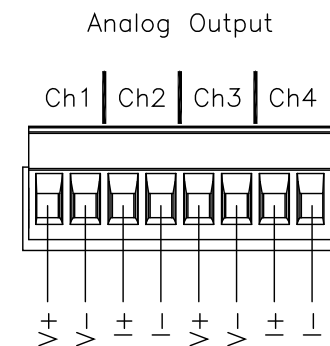
1. SEE USER'S GUIDE FOR ADDITIONAL INFORMATION ON DIGITAL I/O TERMINATIONS.
2. DIGITAL INPUTS & OUTPUTS ARE SOFTWARE CONFIGURABLE. SEE USER'S GUIDE FOR ADDITIONAL SETTING CONFIGURATIONS.  
INPUTS: 5–24VDC, 6mA  
OUTPUTS: SOURCE: 0–5VDC  
SINK: 0–24VDC
3. OPTION DIO IS LOCATED IN THE AUXILIARY OPTION SLOT, WHEN ORDERED.
4. WIRE SIZE: 12 AWG MAXIMUM / 22 AWG MINIMUM.  
WIRE TIGHTENING TORQUE: 2 LB-IN MINIMUM / 4 LB-IN MAXIMUM.



## OPTION CODES 4ANA & 4ANB – ANALOG OUTPUT TERMINATIONS

### NOTES:

1. SEE USER'S GUIDE FOR ADDITIONAL INFORMATION ON ANALOG OUTPUT TERMINATIONS.
2. ANALOG OUTPUTS ARE SOFTWARE CONFIGURABLE. SEE USER'S GUIDE FOR ADDITIONAL SETTING CONFIGURATIONS.  
FACTORY DEFAULT SETTINGS:  
CURRENT [CH2 & CH4]: 4–20mA  
VOLTAGE [CH1 & CH3]: 0–10VDC
3. OPTION 4ANA IS LOCATED IN THE NETWORK OPTION SLOT, WHEN ORDERED.  
OPTION 4ANB IS LOCATED IN THE AUXILIARY OPTION SLOT, WHEN ORDERED.
4. ONLY ONE ANALOG OUTPUT OPTION CARD CAN RESIDE IN THE HI 4050 INSTRUMENT, WHEN ORDERED.
5. WIRE SIZE: 12 AWG MAXIMUM / 22 AWG MINIMUM.  
WIRE TIGHTENING TORQUE: 2 LB-IN MINIMUM / 4 LB-IN MAXIMUM.



**HARDY**  
PROCESS SOLUTIONS

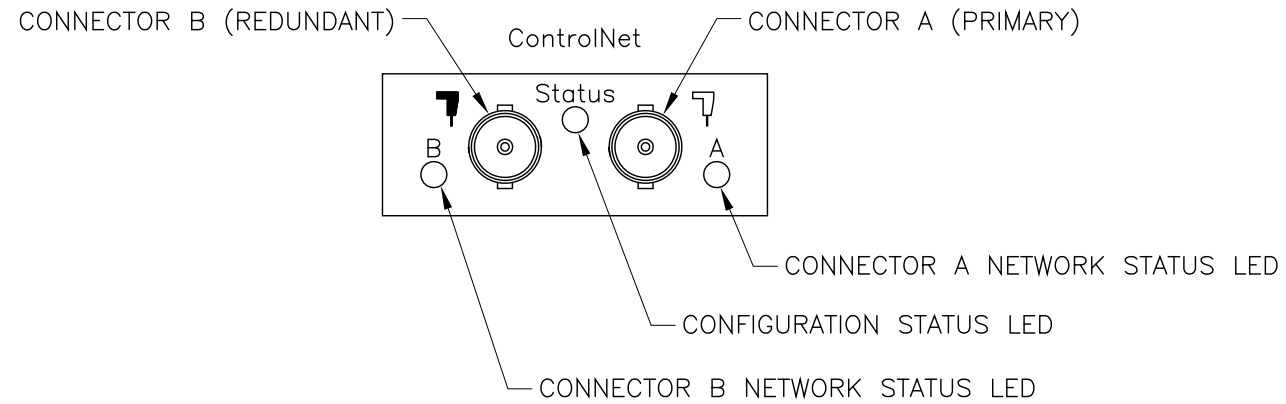
TITLE  
I/I DIAGRAM, HI 4050CW  
CHECK WEIGHER

SIZE	FSCM	DRAWING NO.	REV.
D	21316	0584-0075	C
FILE NAME: 584075C2.DWG		SCALE: NONE	SHEET 5 OF 6

## OPTION CODE CN – CONTROLNET I/O INTERFACE

### NOTES:

1. SEE USER'S GUIDE FOR ADDITIONAL INFORMATION ON CONTROLNET I/O INTERFACE TERMINATIONS.
2. OPTION CN IS LOCATED IN THE NETWORK OPTION SLOT, WHEN ORDERED.
3. THIS OPTION REQUIRES STANDARD BNC TYPE INTERFACE CONNECTORS.
4. IF REDUNDANCY IS WANTED, BOTH CONNECTORS SHOULD BE USED.

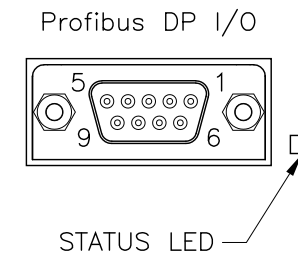


## OPTION CODE PB – PROFIBUS DP I/O

### NOTES:

1. SEE USER'S GUIDE FOR ADDITIONAL INFORMATION ON PROFIBUS DP I/O INTERFACE TERMINATIONS.
2. OPTION PB IS LOCATED IN THE NETWORK OPTION SLOT, WHEN ORDERED.
3. INTERFACE CONNECTOR TYPE ON THE INSTRUMENT:  
9 PIN D-SUBMINIATURE [DE-9], FEMALE CONTACTS.

CONNECTOR TERMINATIONS	
PIN	SIGNAL
1	NO CONNECT
2	NO CONNECT
3	RXD/TXD +
4	RTS
5	GND BUS
6	+5V BUS
7	NO CONNECT
8	RXD/TXD -
9	NO CONNECT



<b>HARDY</b> PROCESS SOLUTIONS			
TITLE I/I DIAGRAM, HI 4050CW CHECK WEIGHER			
SIZE	FSCM	DRAWING NO.	REV.
D	21316	0584-0075	C
FILE NAME: 584075C2.DWG		SCALE: NONE	SHEET 6 OF 6